

FORMEX™ GL PRODUCT DATA

FLAME RETARDANT POLYPROPYLENE SHEET

| TEST METHOD | FORMEX™ GL-10 | FORMEX™ GL-17 |
|--|---|-------------------------|
| Color | Natural & Black | Natural & Black |
| MANUFACTURING SPECIFICATION | | |
| Thickness | | |
| inches | 0.010 (+0.003 / -0.0015) | 0.017 (+0.003 / -0.001) |
| millimeters | 0.25 (+0.08 / -0.04) | 0.43 (+0.08 / -0.03) |
| UL FLAMMABILITY RATING / PERFORMANCE LEVELS | | |
| Flammability | UL 94 | VTM-0 |
| Relative Temperature Index | UL 746B | V-0 |
| Electrical | | 125°C / 257°F |
| Mechanical Without Impact | | 125°C / 257°F |
| High Current Arc Ignition - PLC (arcs to ignite) | UL 746A | 2 |
| High Voltage Arc Tracking - PLC (in / min) | UL 746A | 0 |
| Hot Wire Ignition - PLC (seconds) | UL 746A | 0 |
| Comparative Tracking Index - PLC | ASTM D-3638 | 0 |
| TYPICAL MECHANICAL PROPERTIES VALUES | | |
| Tensile Yield - psi | ASTM D-882 / ISO 527-1,-2 | |
| Machine Direction | | 5,000 |
| Transverse Direction | | 2,900 |
| TYPICAL PHYSICAL PROPERTIES VALUES | | |
| Density - gm/cc | ASTM D-792 / ISO 1183-1, Method A | 0.972 |
| Oxygen Index - % | ASTM D-2863 / ISO 4589--1,-2 | 29 |
| Water Absorption - % Change in weight | ASTM D-570 / ISO 62, Method 4 | 0.06% |
| Heat Deflection Temperature at 66 psi | ASTM D-648 0.45MPa / ISO 75-1,-2,Method B | 122°C / 252°F |
| Surface Energy - dynes / cm (as produced) | ASTM D-2578 | ≥ 50 |
| TYPICAL ELECTRICAL PROPERTIES VALUES | | |
| Comparative Tracking Index - volts | IEC 60112 | 600 |
| Dielectric Breakdown - volts | ASTM D-149 / IEC 60243-1 | 18,799 |
| Dielectric Strength - volts / mil | ASTM D-149 / IEC 60243-1 | 1,880 |
| Volume Resistivity - ohm-cm | ASTM D-257 / IEC 62631-3-1 | 1 x 10 ¹⁶ |
| Dielectric Constant | ASTM D-150 / IEC 60250, 1MHz | 1.80 |
| Dissipation Factor | ASTM D-150 / IEC 60250, 1MHz | 0.0017 |
| PACKAGING INFORMATION | | |
| Standard Configuration | Roll | Roll |
| Core ID - inches (millimeters) | 6 (152) | 6 (152) |
| Roll OD - inches (millimeters) (approximate) | 18 (457) | 18 (457) |
| Roll Width - inches (millimeters) | 24 (610) | 24 (610) |
| Roll Weight - lbs (kgs) (approximate) | 192 (87) | 172 (78) |
| Length/Roll - feet (meters) | 2,000 (609.6) | 1,000 (304.8) |
| Area/Roll - square feet (square meters) | 4,000 (371.6) | 2,000 (185.8) |

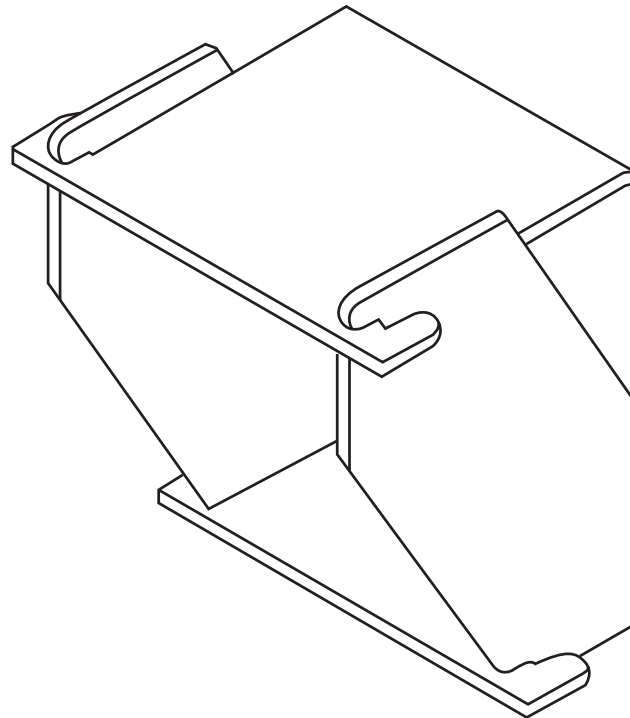
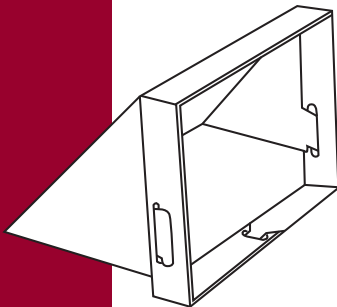
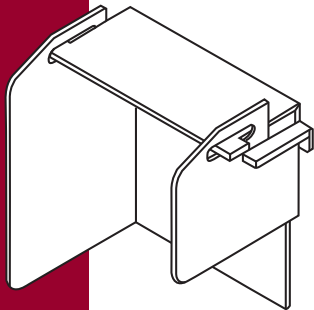
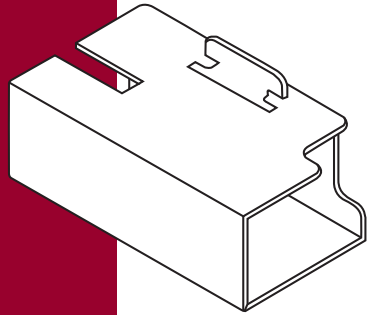
Notice: The above data is believed to be accurate and reliable. ITW assumes no responsibility for end-use application, and no performance warranty is expressed or implied. Formex is a registered trademark of ITW. GL is the specific name of our product. Others can not use it without our permission.

ITW Formex®

FORMEX™ GL

FLAME RETARDANT

CONTINUOUS USE TEMPERATURE TO 125°C



- Flammability Rating UL 94 VTM-0
- H2O Absorption 0.06%
- Temperature Rating 125°C / 257°F
- Dielectric Strength 1,880 Volts / mil @0.010"
- UL Recognized File E121855

For more information or Formex GL samples, please contact us at 630-315-2171.

425 N. Gary Ave. Carol Stream, IL 60188

www.itwformex.com